

Solid State Broadband High Power Amplifier

2126
20 – 500 MHz / 1000 Watts

The 2126 is suitable for octave bandwidth high power CW, modulated, and pulse applications. This amplifier utilizes high power LDMOS devices that provide wide frequency response, high gain, high peak power capability, and low distortions. Exceptional performance, long-term reliability and high efficiency are achieved by employing advanced broadband RF matching networks and combining techniques, EMI/RFI filters, and all qualified components. The amplifier is constructed within one single 5RU drawer including the forced air-cooling. Available operating voltage configurations are single-phase, three-phase AC up to 400 Hz and 28 VDC.



SKU#: 2126-008

The amplifier includes a built-in control and monitoring system, with protection functions which preserve high availability. Remote management and diagnostics are via an embedded web server allowing network managed site status and control simply by connecting the unit's Ethernet port to a LAN. Using a web browser and the unit's IP address (IPV4) allows ease of access with the benefit of multi-level security. The control system core runs an embedded OS (Linux), has a built-in non-volatile memory for event recording, and factory setup recovery features. The extended memory option allows storage of control parameters and event logs.

Empower RF's ISO9001 Quality Assurance Program assures consistent performance and the highest reliability.

- Solid-state design
- Suitable for CW, AM, FM and pulse (Consult factory for other modulation types)
- Compact Modular design
- 50 ohm input/output impedance
- Built-in Control, Monitoring and Protection functions
- High reliability and ruggedness
- Optional harmonic and spurious suppression via external switched filter bank (quoted separately)

ELECTRICAL SPECIFICATIONS over temperature conditions (-10 to +50°C)

Parameter	Symbol	Min	Typ	Max	Unit
Operating Frequency	BW	20		500	MHz
Power Output CW <i>(Note 1&3)</i>	P _{SAT}	1000			Watt
Power Output @ 1dB Gain Compression <i>(Note 2)</i>	P _{1dB}	800			Watt
Power Gain @ 1dB Gain Compression	G _{1dB}	60			dB
Input Power for Rated P _{SAT}	P _{IN}		0		dBm
Small Signal Gain Flatness / Leveled ALC	ΔG			±3.0/±1.0	dB
Gain Adjustment Range	VVA	20			dB
Input Return Loss	S ₁₁			-10	dB
Noise Figure @ maximum gain	NF		10	15	dB
Third Order Intermodulation Distortion 2-Tone @ 54dBm/Tone, 1MHz Spacing	IM3		-20		dBc
Harmonics @ P _{OUT} = 800W	2 ND			-20	dBc
	3 RD			-10	
Spurious Signals	Spur			-60	dBc
Operating Voltage – (1-phase)	V _{AC}	180	220	260	Volt
Operating Voltage – (3-phase)	V _{AC}		208		Volt
Power Consumption @ 1000W CW	P _D			6000	Watt

Notes:
 1. CW measurement performed in MGC Mode (Manual Gain Control).
 2. P_{1dB} measurements performed with AM 80% depth of modulation, 1 kHz modulation signal
 3. Saturated power output at 20-80MHz is rated at 800 watts minimum.

MECHANICAL SPECIFICATIONS

Parameter	Value	Unit
Dimensions W x H x D	17.5 x 8.75 x 22	Inch
Weight (Without Harmonic Suppression Filters)	92	Pound
RF Connectors Input/Output	Input: Type-N, Female Output: Type-7/16-DIN, Female (optional Type-SC, Female)	-
RF Sample	Type-SMA, Female	-
Blanking Input	Type-BNC, Female	-
Cooling	Built-in forced-air cooling system	-

Solid State Broadband High Power Amplifier

2126

20 – 500 MHz / 1000 Watts

ENVIRONMENTAL CHARACTERISTICS (Qualification Data available for review):

Parameter	Symbol	Min	Typ	Max	Unit
Operating Ambient Temperature	T _A	-10		+50	°C
Non-operating Temperature	T _{STG}	-40		+85	°C
Relative Humidity (non-condensing)	RH			95	%
Shock / Vibration - MIL-STD-810F Shock Method 516.5, Vibration Method 514.5	SH / VI				

PROTECTIONS:

Parameter	Specification	Unit
Input Overdrive	+10 dBm	Max
VSWR protection	At 3:1 or higher – PA backs-off output power to a safe operating level – no system shutdown, “On Air” time is maximized	
Thermal – Graceful Degradation	Ambient 50°C	Min
Default Data Recovery	Factory Default Calibration Recovery	

COMMUNICATION INTERFACES:

Function	Utility	Connector
Ethernet	Network management of device / web interface	RJ45
USB	Mass storage / Expansion Bus	USB 1.x/2.0 compatible
RS-232 (default) RS-422 (optional)	Serial management of device / local operator access	D-Sub 9-position Male

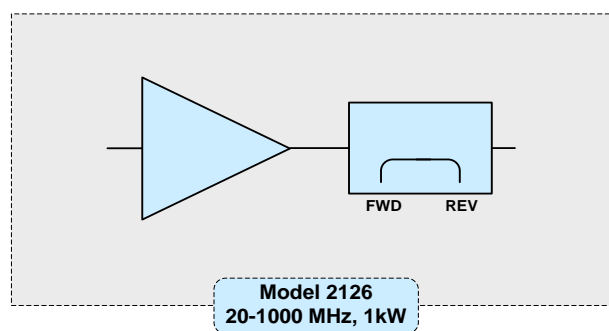
SYSTEM I/O CONNECTOR – 14-pin

Pin #	Description	Specification
1	FWD TP	Forward detected power (analog voltage: 0 – 5 Volt)
2	REV TP	Reverse detected power (analog voltage: 0 – 5 Volt)
3	Summary Fault	Summary Fault: Active TTL Logic Low ($\leq 0.7V$) = Fault (Internally Pulled-High)
4	VVA Control (<i>optional</i>)	Gain Control/Monitor: Analog Voltage Range 0-5V
5	Shutdown	Amplifier Disable: TTL Logic Low ($\leq 0.7V$) (Internally Pulled-High)
6	Aux P/S TP	+12.0V _{DC} $\pm 2.0V$ (resettable 0.5amp fuse)
7	Main P/S TP	+44.0V _{DC} $\pm 4.8V$ (resettable 0.5amp fuse)
8	GND	Ground
9-11	Open drain control	Site management utility (reserved)
12&13	Digital I/O (configurable)	Site management utility (reserved)
14	GND	Ground

Available Options

2126-xxx
-003 208 VAC, 3-phase-Delta, 47-63 Hz, Rear RF Connectors
-004 28 VDC, Front RF Connectors
-005 28 VDC, Rear RF Connectors
-006 208 VAC, 3-phase-Delta, 47-63 Hz, Front RF Connectors
-007 180-260 VAC, 1-phase, 47-63 Hz, Front RF Connectors
-008 180-260 VAC, 1-phase, 47-63 Hz, Rear RF Connectors
Contact us for other available options; sales@empowerrf.com
Standard Feature:
-LCD Control, Ethernet & Serial Comm
-Main RF Connectors: Input [Type-N, F], Output [7/16-DIN, F]
-Sample Port: SMA-F [Forward & Reverse]
-Blanking/Gating Port: BNC-F
-Rack Slides, Handles and Rackmount Bracket

NOTIONAL BLOCK DIAGRAM



Solid State Broadband High Power Amplifier

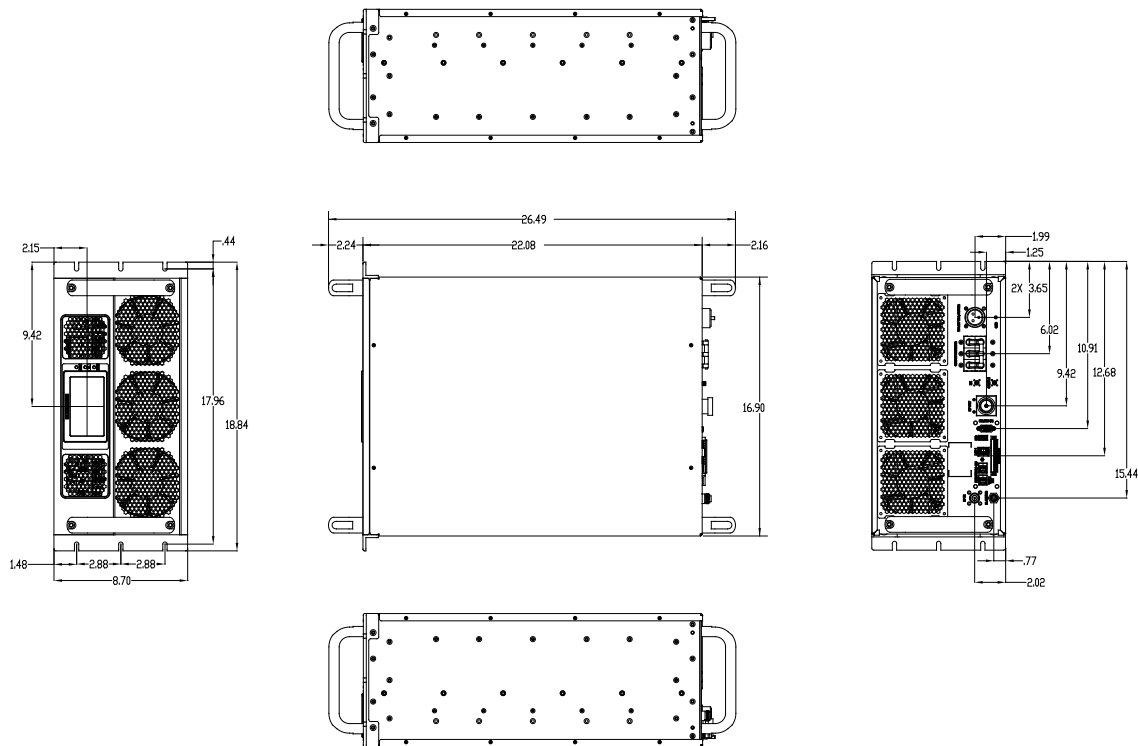
2126

20 – 500 MHz / 1000 Watts

OPTIONAL HARMONIC FILTER: (Configurable per Customer Requirement. Example shown below):

Parameter	Symbol	Min	Typ	Max	Unit
Operating Frequency	Band 1	20		30	MHz
	Band 2	30		45	
	Band 3	45		67	
	Band 4	67		100	
	Band 5	100		150	
	Band 6	150		225	
	Band 7	225		335	
	Band 8	335		500	
Harmonics @ Rated P _{SAT}	2 ND			-60	dBc
	3 RD			-60	

OUTLINE DRAWING (Option: 2126-008)



2126-008 – Front View

2126-008 Rear View

